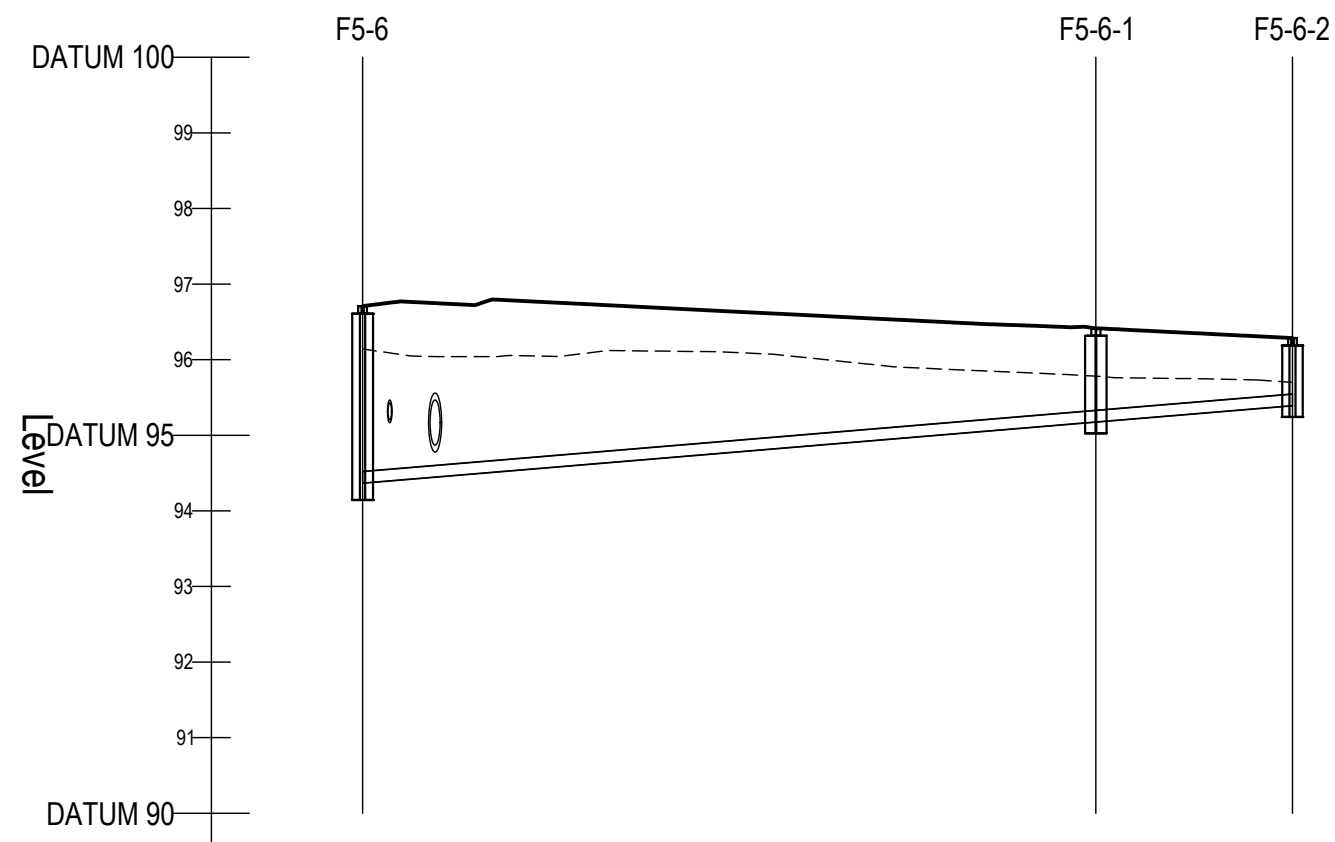
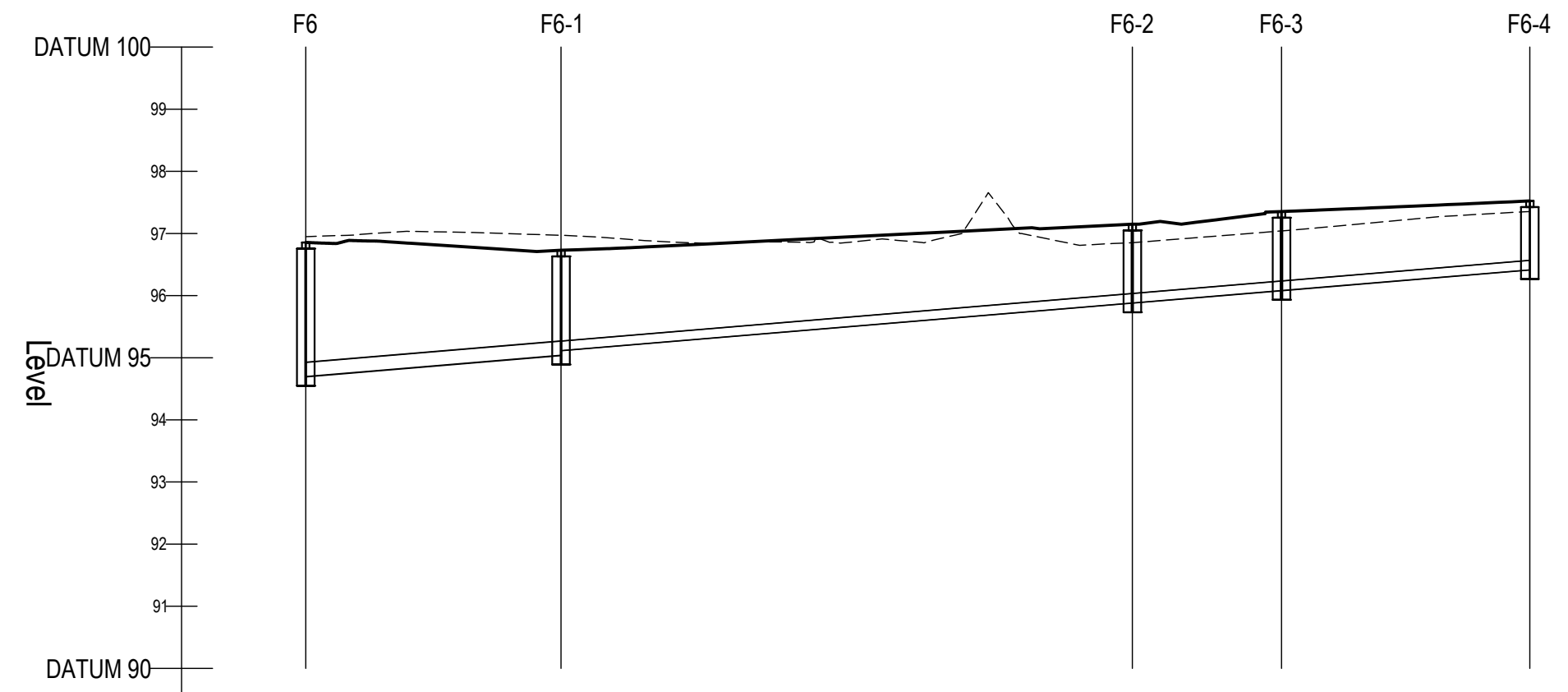


SCALE: H 1:500,V 1:100. DATUM: 90.000



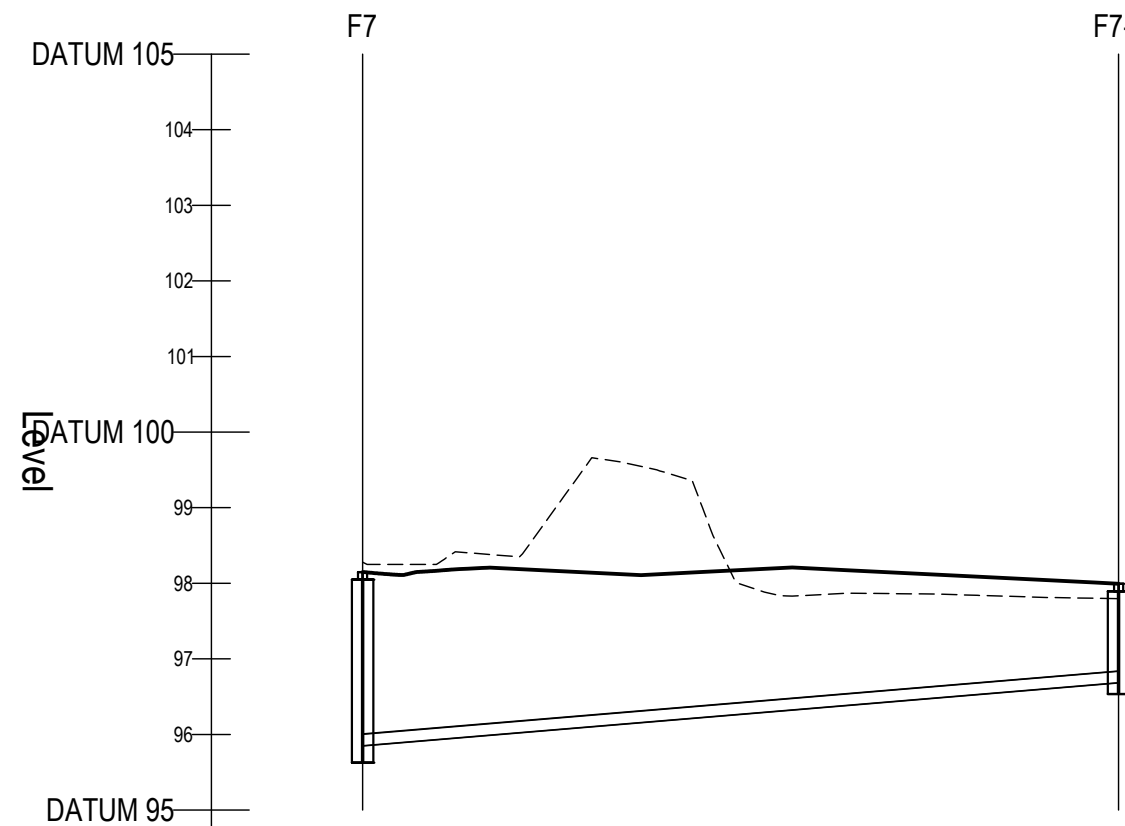
COVER LEVEL		96.706		96.416	96.206
INVERT LEVEL		94.386		95.177 95.177	95.383
DEPTH (m)		2.315		1.239	0.893
DISTANCE (m)			48.50	13.00	
PIPE SLOPE			1.60	1.60	
PIPE SIZE			150mm	150mm	

SCALE: H 1:500,V 1:100. DATUM: 90.000



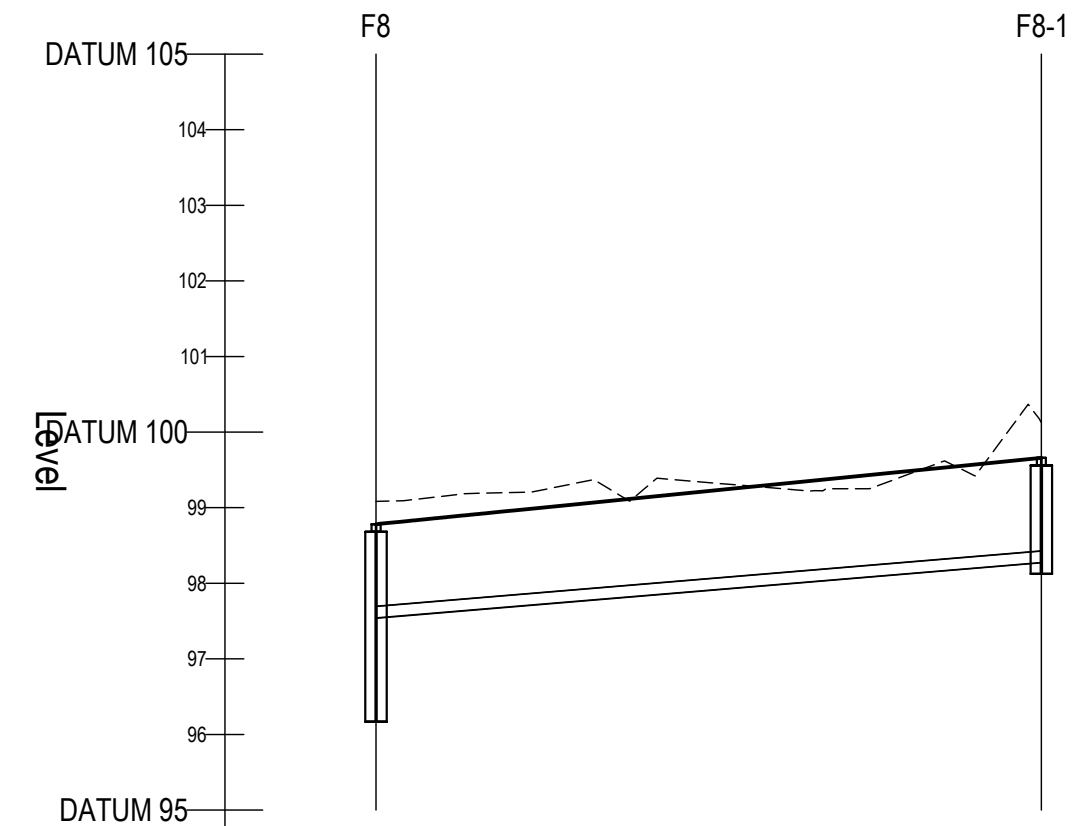
COVER LEVEL			96.656		97.151	97.383	97.524
INVERT LEVEL			94.688	95.041 95.116	95.682 95.682	96.082 96.082	96.415
DEPTH (m)			2.158	1.630	1.289	1.271	1.108
DISTANCE (m)				20.56	46.00	12.01	20.00
PIPE SLOPE				1.60	1.60	1.60	1.60
PIPE SIZE				225mm	150mm	150mm	150mm

SCALE: H 1:500,V 1:100. DATUM: 95.000



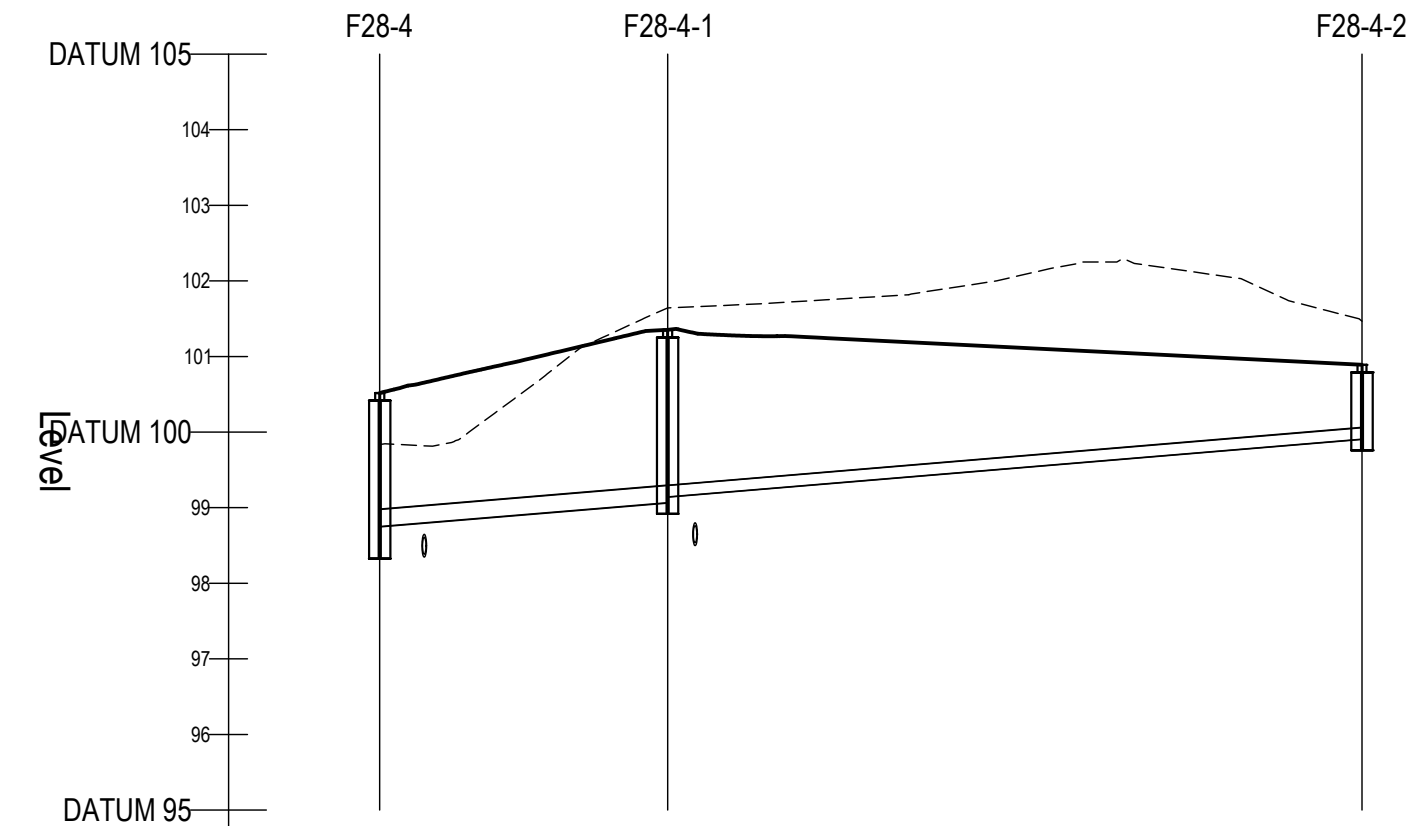
COVER LEVEL		98.149		97.994
INVERT LEVEL		95.652		96.055
DEPTH (m)		2.372		1.339
DISTANCE (m)			50.00	
PIPE SLOPE			1.60	
PIPE SIZE			150mm	

SCALE: H 1:500,V 1:100. DATUM: 95.000



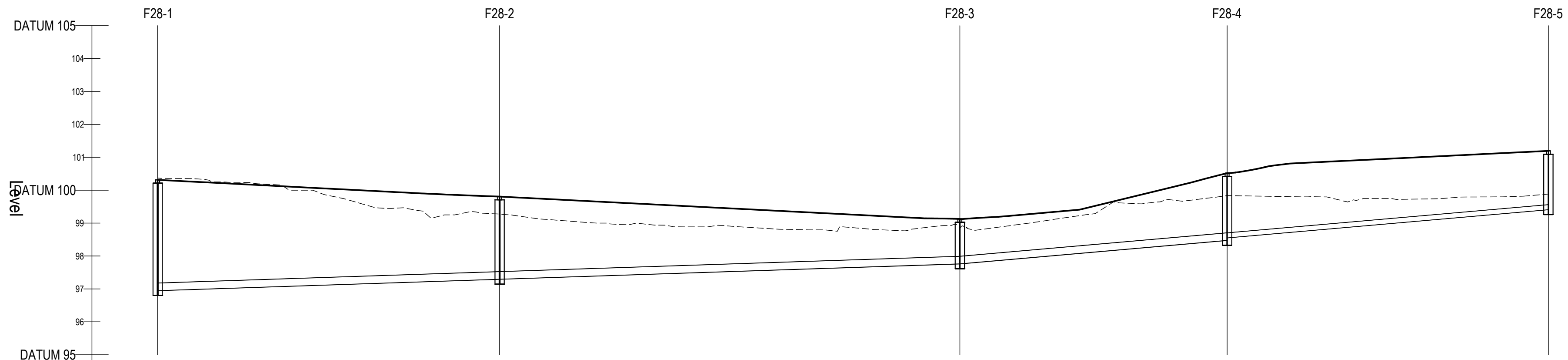
COVER LEVEL		98.782		98.659
INVERT LEVEL		97.542		98.275
DEPTH (m)		2.462		1.384
DISTANCE (m)			44.00	
PIPE SLOPE			1.60	
PIPE SIZE			150mm	

SCALE: H 1:500,V 1:100. DATUM: 95.000



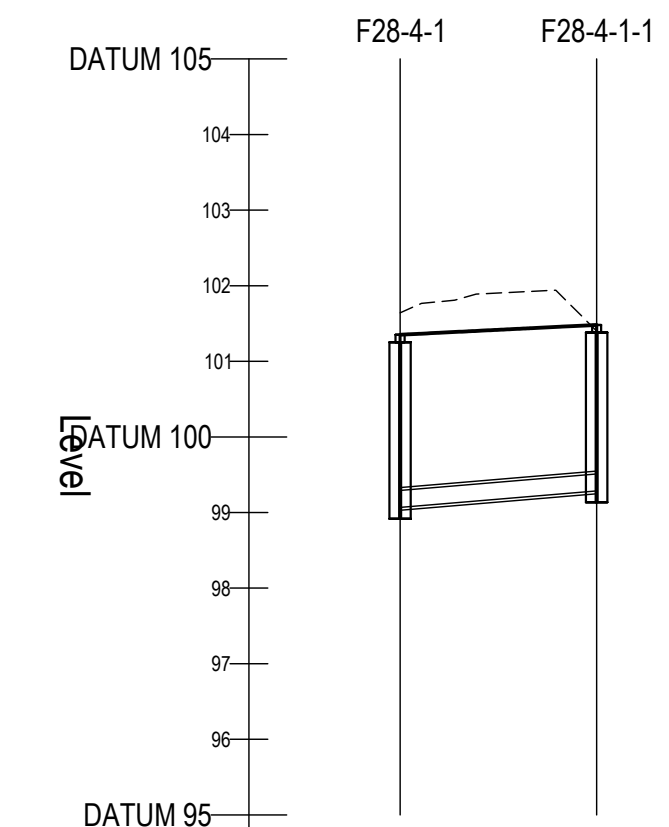
COVER LEVEL		103.516		101.352	100.860
INVERT LEVEL		98.751		99.098 98.143	99.908
DEPTH (m)		2.041		2.284	0.982
DISTANCE (m)			19.04	45.93	
PIPE SLOPE			1.60	1.60	
PIPE SIZE			225mm	150mm	

SCALE: H 1:500,V 1:100. DATUM: 95.000

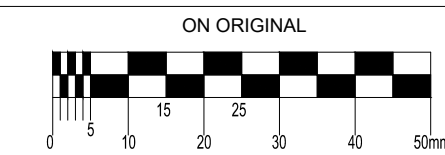


COVER LEVEL		100.314		99.126		100.516	101.194
INVERT LEVEL		96.960		97.297 97.297	97.783 97.783	98.475 98.551	99.409
DEPTH (m)		3.354		2.309	1.362	2.041	1.786
DISTANCE (m)			52.01	70.00	40.65	48.87	
PIPE SLOPE			1:150	1:150	1:57	1:57	
PIPE SIZE			225mm	225mm	225mm	150mm	

SCALE: H 1:500,V 1:100. DATUM: 95.000



COVER LEVEL		101.352		101.482
INVERT LEVEL		99.098		99.285
DEPTH (m)		2.284		2.197
DISTANCE (m)			13.00	
PIPE SLOPE			1.60	
PIPE SIZE			225mm	



© COPYRIGHT OF THIS DRAWING IS RESERVED BY DBFL CONSULTING ENGINEERS. NO PART SHALL BE REPRODUCED OR TRANSMITTED WITHOUT THEIR WRITTEN PERMISSION.
NO CHANGES OF WHATSOEVER NATURE ARE TO BE MADE TO ANY DETAILS SET OUT OR CONTAINED IN ANY DBFL SPECIFICATIONS OR DRAWINGS UNLESS THE EXPRESS CONSENT HAS BEEN OBTAINED IN ADVANCE, IN WRITING, FROM DBFL.

- NOTES:
1. ALL DRAWINGS TO BE CHECKED BY CONTRACTOR ON SITE AND ENGINEER INFORMED OF DISCREPANCIES BEFORE WORK COMMENCES
 2. ALL LEVELS ARE IN METRES AND ARE RELATED TO ORDNANCE DATUM
 3. CONTRACTOR SHALL SATISFY HIMSELF AS TO THE ACCURACY OF PAVEMENT LEVELS ON SITE PRIOR TO COMMENCEMENT OF WORKS ON SITE
 4. ALL WORKS TO BE CONSTRUCTED IN ACCORDANCE WITH THE NRA SPECIFICATION FOR ROAD WORKS UNLESS NOTED OTHERWISE
 5. THIS DRAWING IS FOR PLANNING PURPOSES ONLY
 6. MANHOLE COVER LEVELS ARE TO CONFORM WITH FINISHED ROAD AND PATH LEVELS
 7. WHERE COVER TO PIPE IS LESS THAN 1200mm (ROAD/PATH/VERGE) OR 900mm (OPEN SPACE) SURROUND PIPE IN MINIMUM 150mm CONCRETE

KEY

- EXISTING GROUND PROFILE
- PROPOSED GROUND PROFILE

P01	13/06/22	STAGE 3 SHD	PJC	NGC
rev	date	description	by	chkd.
client approval		A - Approved		
		B - Approved with comments		
		C - Do not use		
suitability		issue purpose		
S2 - INFORMATION		PLANNING		

DBFL Consulting Engineers
Civil, Structural & Transportation Engineering
www.dbfl.ie

DUBLIN OFFICE: Ormond House, Upper Ormond Quay, Dublin 7, D07 W704
PHONE: +353 1 436 4300

CORK OFFICE: 14 South Mall, Cork, T12 CT91
PHONE: +353 21 2024538

WATERFORD OFFICE: Suite 10 The Arkun, Maritime Gate, Canada Street, Waterford, X91 WC28
PHONE: +353 51 309 500

project ref. NEWCASTLE SOUTH

drawing title FOUL SEWER LONGITUDINAL SECTIONS SHEET 3

client CAIRN HOMES PROPERTIES LTD

designed by	author	scale	sheet size
NGC	PJC	H: 1:500 V: 1:100	A1
drawing no.			revision
210026-DBFL-CS-SP-DR-C-3207			P01